

Service
Service
Service



Service Manual



CONTENTS

Wiring diagram 1-1

Circuit Diagram - Main board

 CD part 3-1

 Decoder part..... 3-2

 Power & Tape part..... 4-1

Layout diagram - Main board

 Component side view 5-1

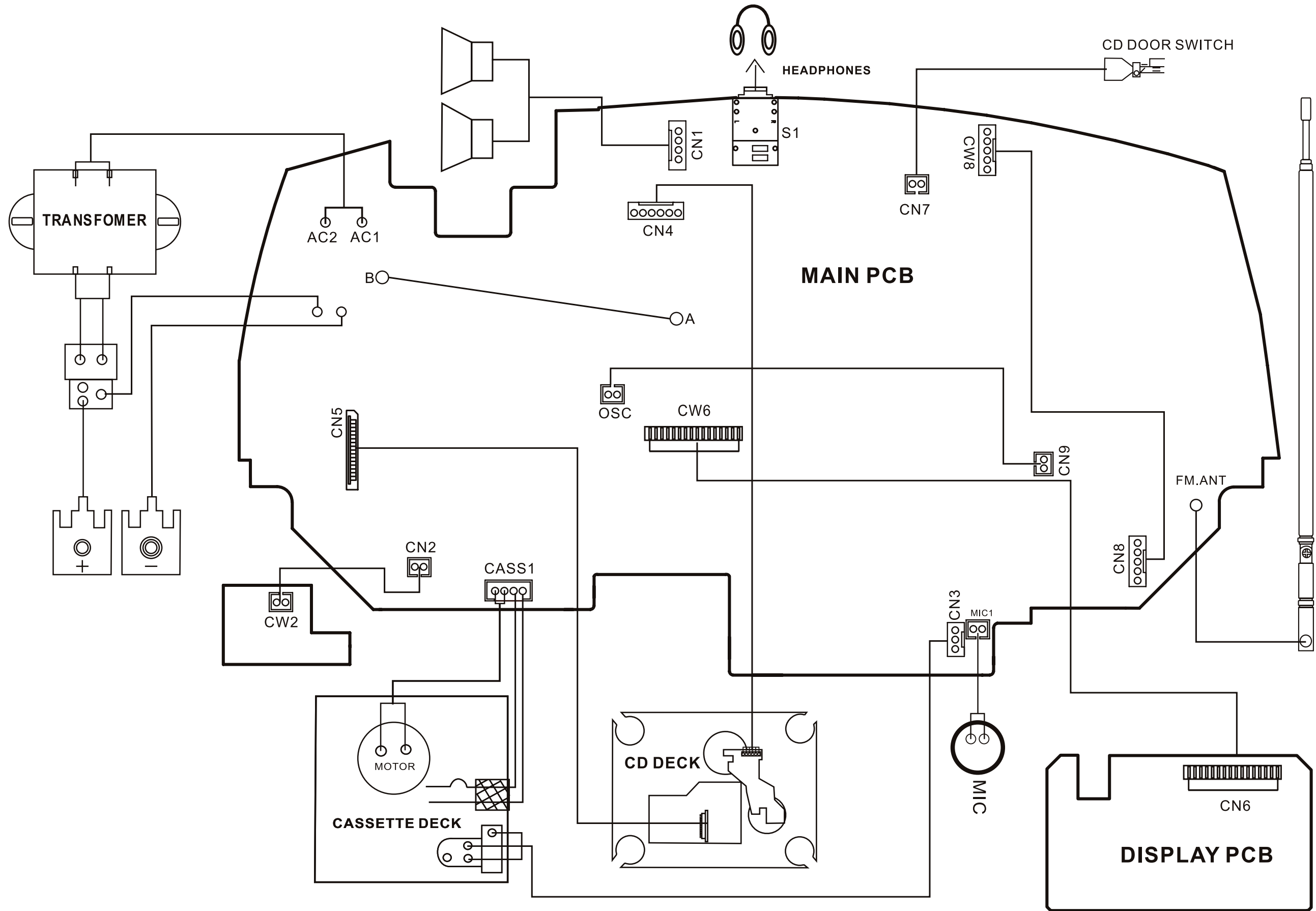
 Copper side view 6-1

Service parts list 7-1

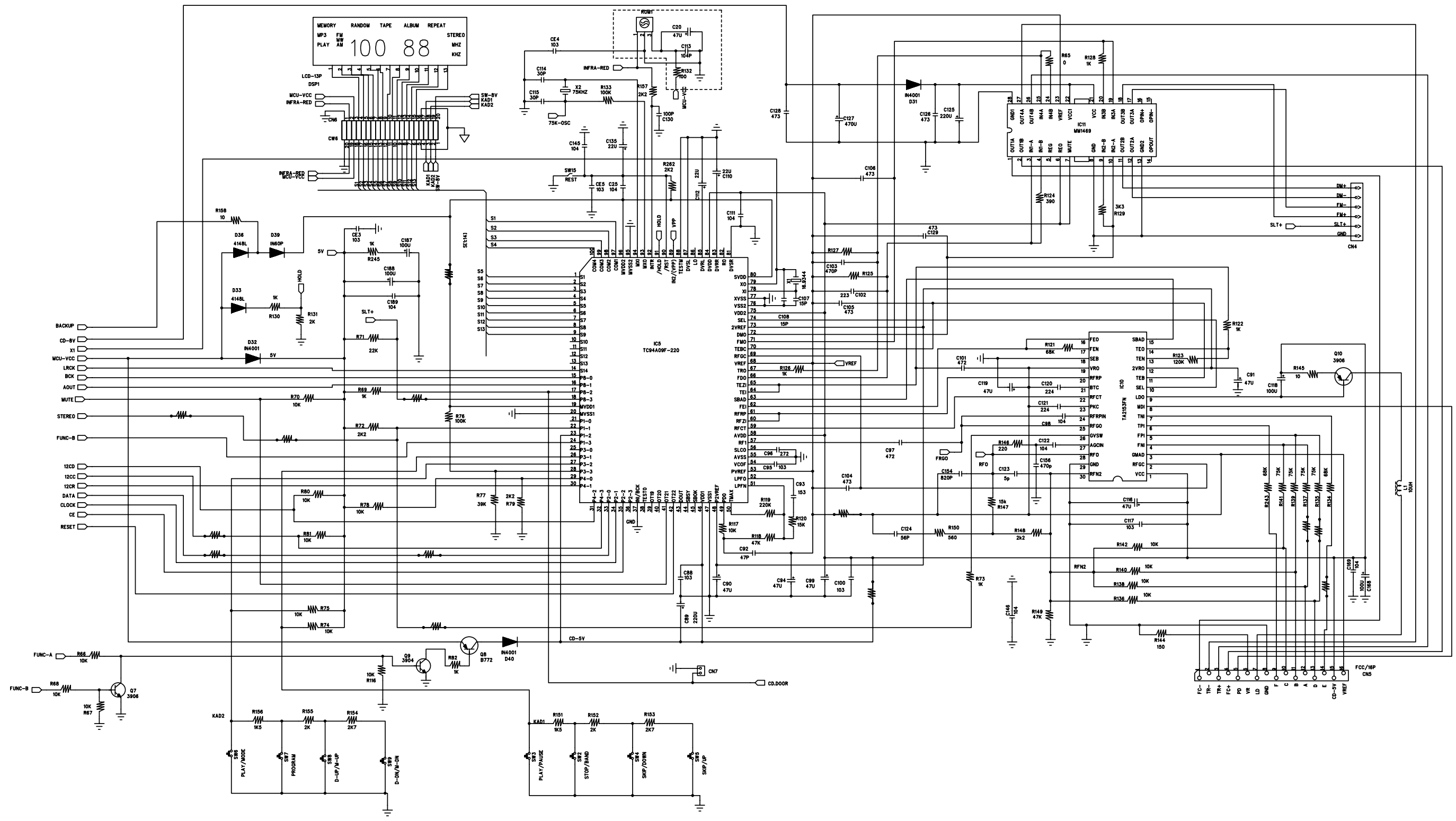
© Copyright 2008 Philips Consumer Electronics B.V. Eindhoven, The Netherlands
All rights reserved. No part of this publication may be reproduced, stored in a retrieval system or transmitted, in any form or by any means, electronic, mechanical, photocopying, or otherwise without the prior permission of Philips.



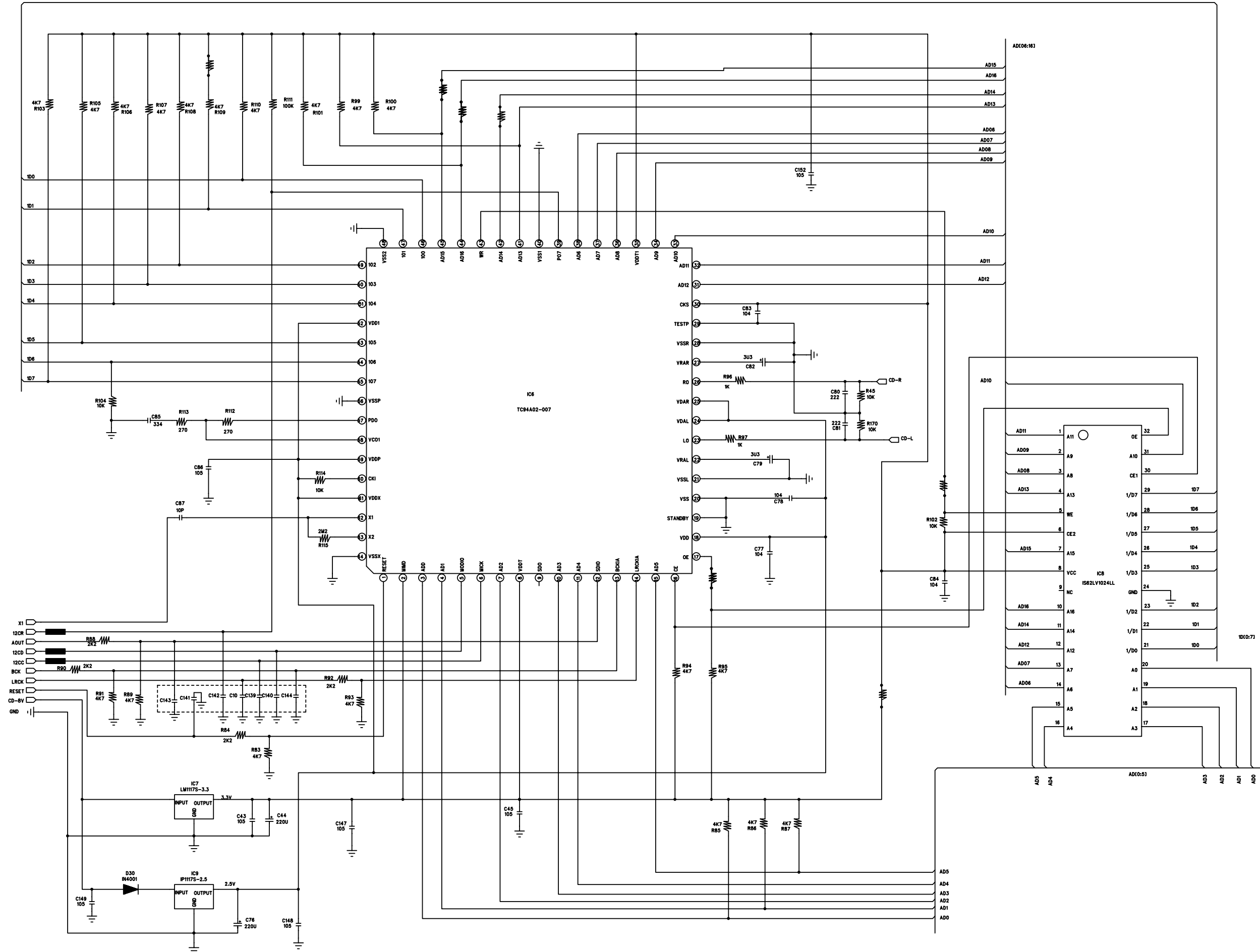
SET WIRING DIAGRAM



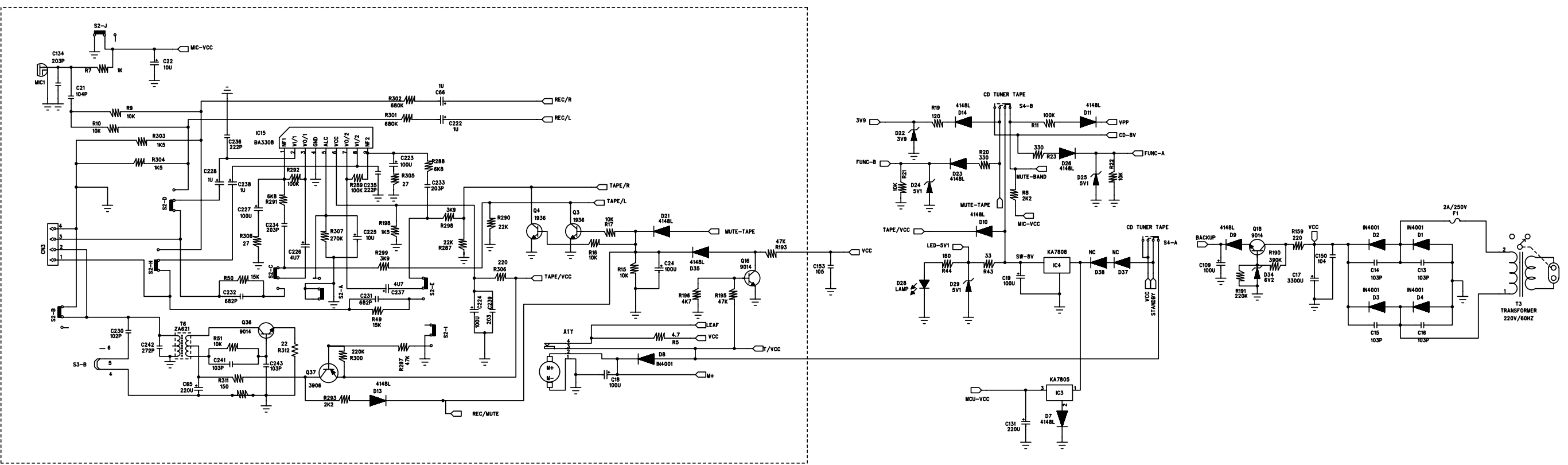
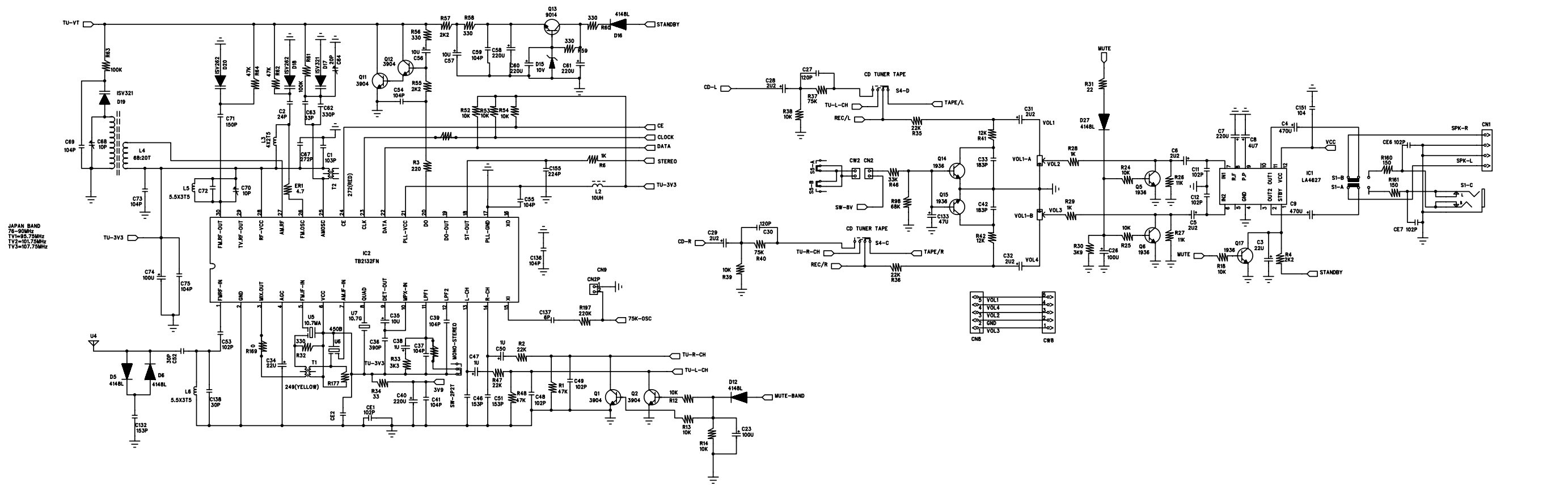
CIRCUIT DIAGRAM - MAIN BOARD CD PART



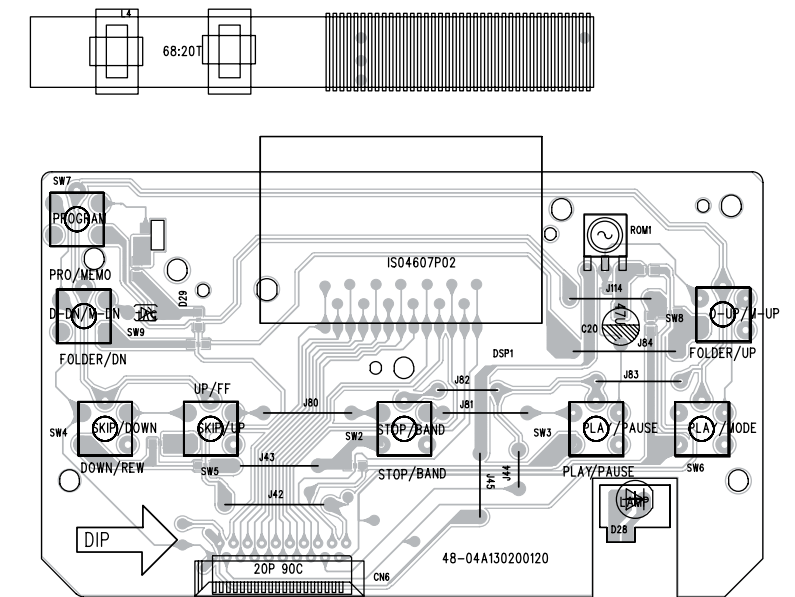
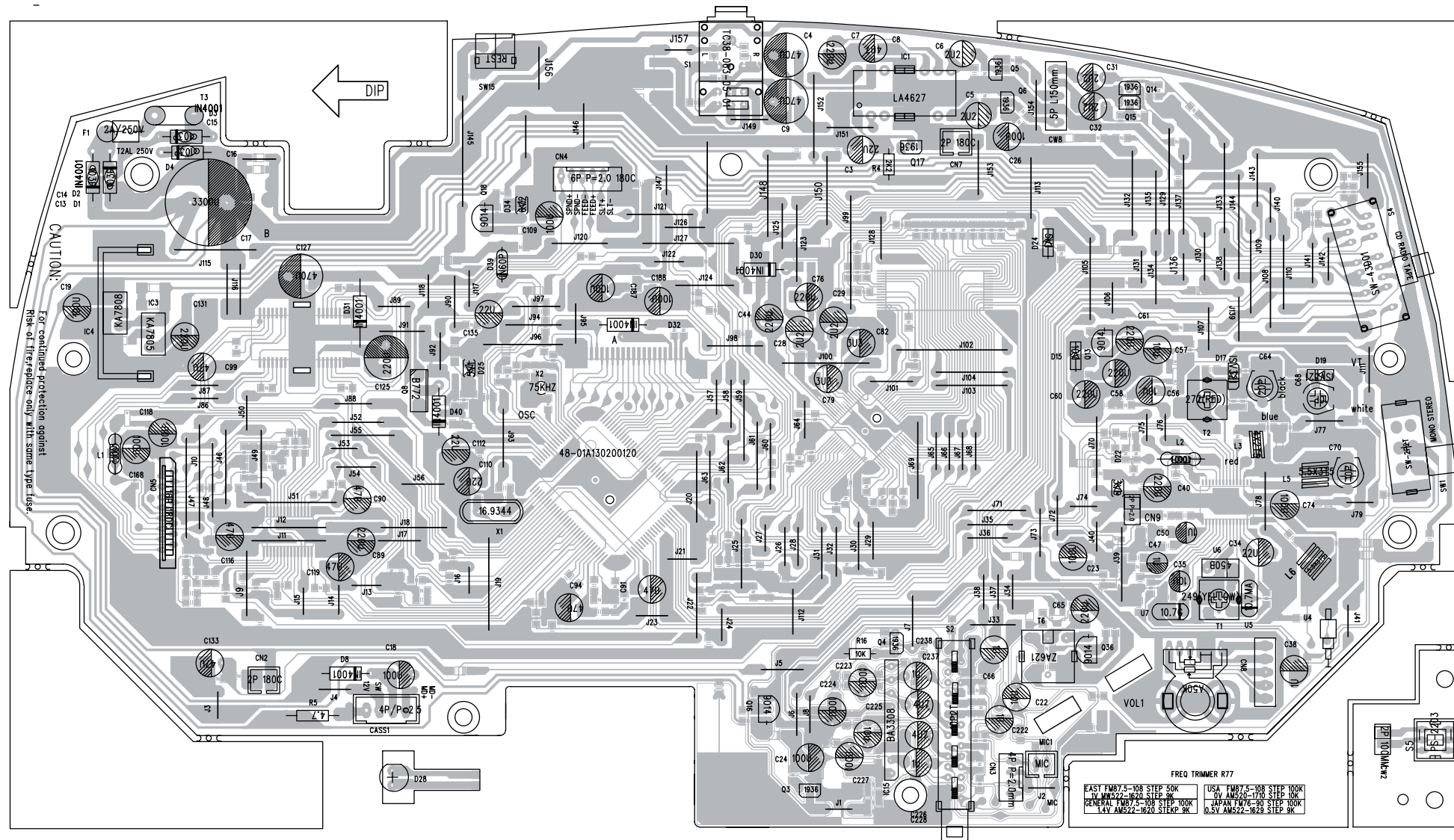
CIRCUIT DIAGRAM - MAIN BOARD DECODER PART



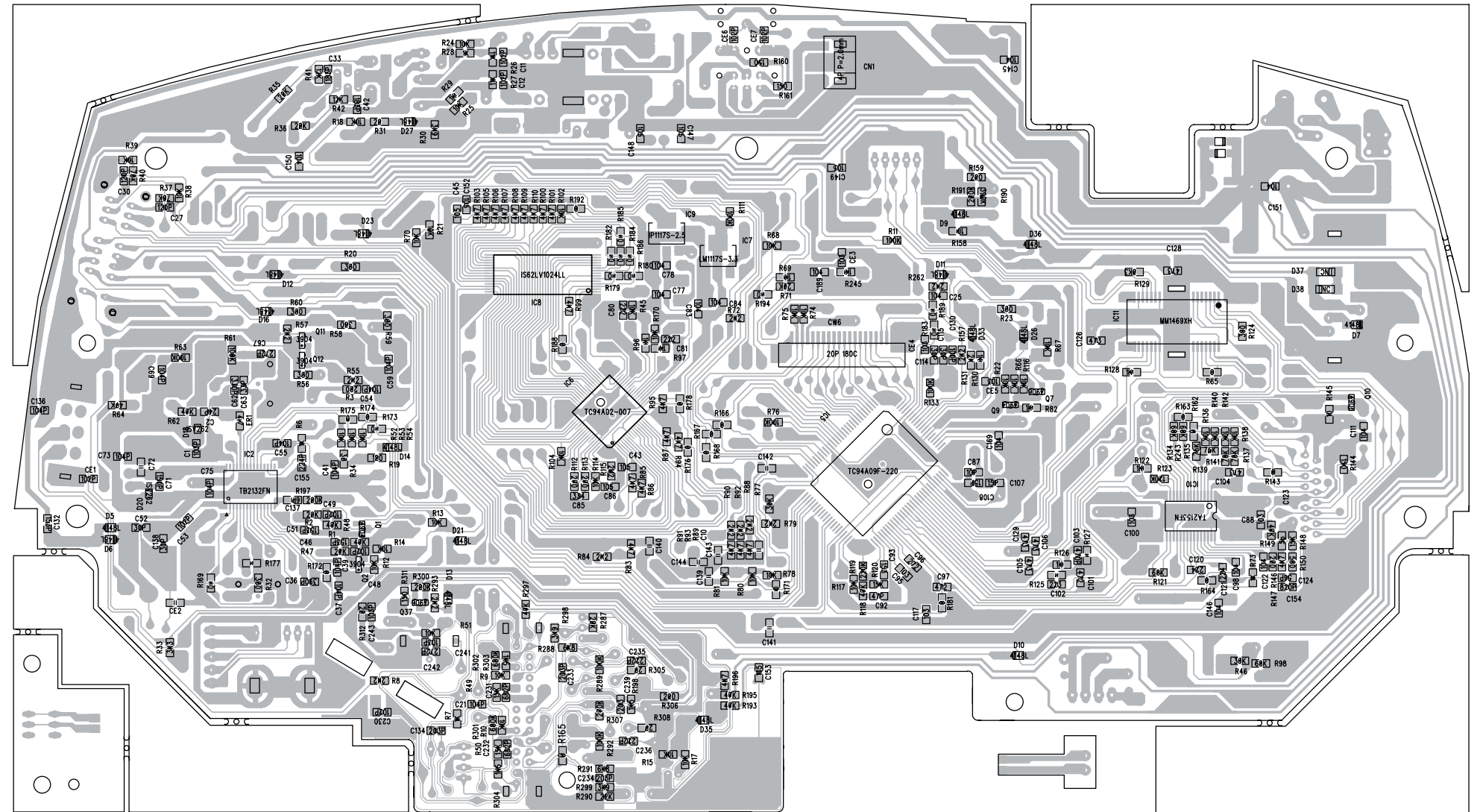
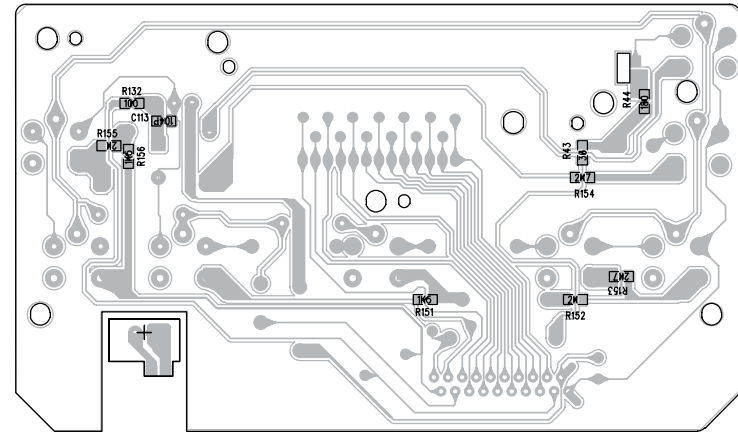
CIRCUIT DIAGRAM - MAIN BOARD POWER & TAPE PART



LAYOUT DIAGARM - MAIN BOARD COMPONENT SIDE VIEW



LAYOUT DIAGARM - MAIN BOARD
COPPER SIDE VIEW



Service parts list

80	996510017344	CASS DECK
81	994000001689	CD MECHANISM DA11B3NF
174	996500040996	BATTERY DOOR
175	996510017323	CASS DOOR BKT
176	996510017324	CASS DOOR
177	996510017325	CD DOOR
178	996500039787	LASER COVER (FOR SANYO CD)
179	996510017326	GEAR
180	996510017327	CASS GEAR HOLDER
181	996510017328	CD GEAR HOLDER
182	996510017329	HANDLE
183	996510017330	HANDLE COVER
199	996510017331	HANDLE SHAFT-L
200	996510017332	HANDLE SHAFT-R
S001	996510017343	SPEAKER 2W
J014	996500039076	AC CORD SET KS APP 6FT (BLK)
2	996510020184	REMOTE CONTROL

Note: Only these parts mentioned in the list are normal service parts.